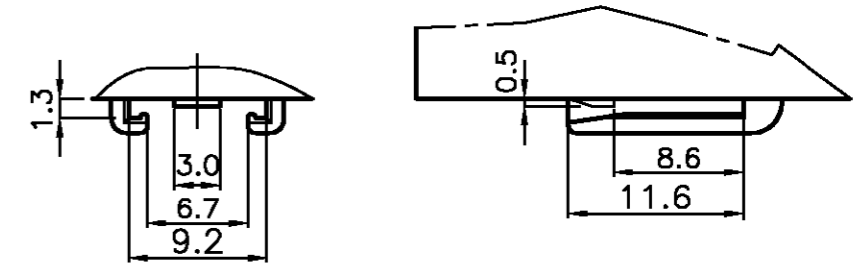
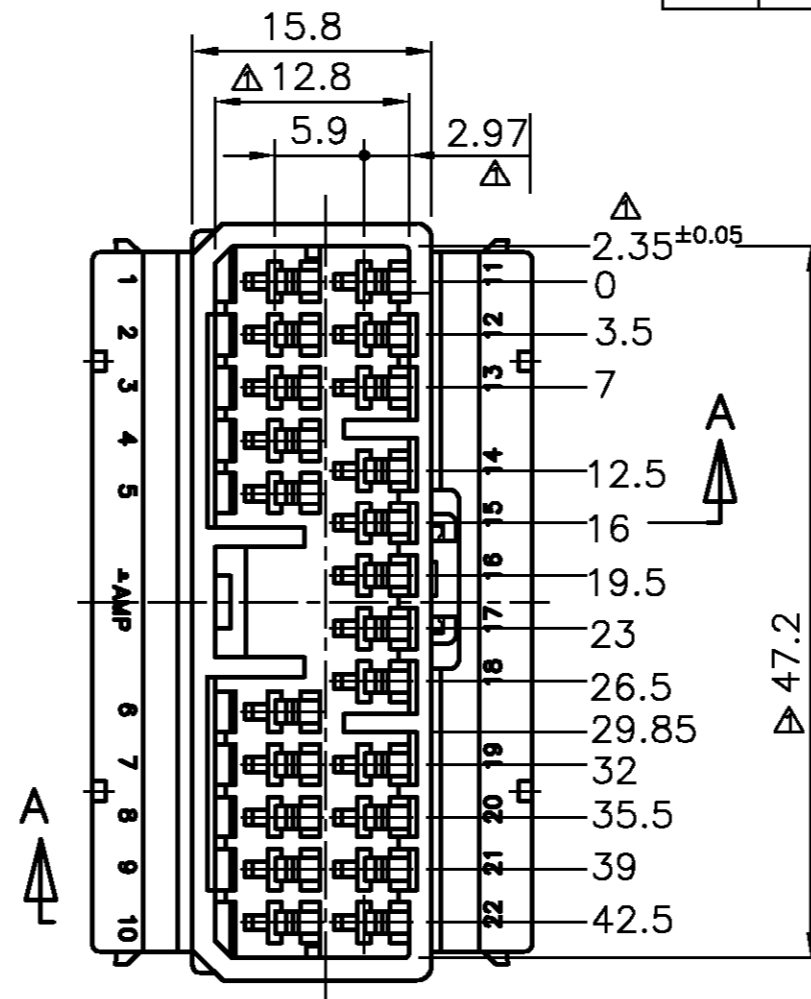
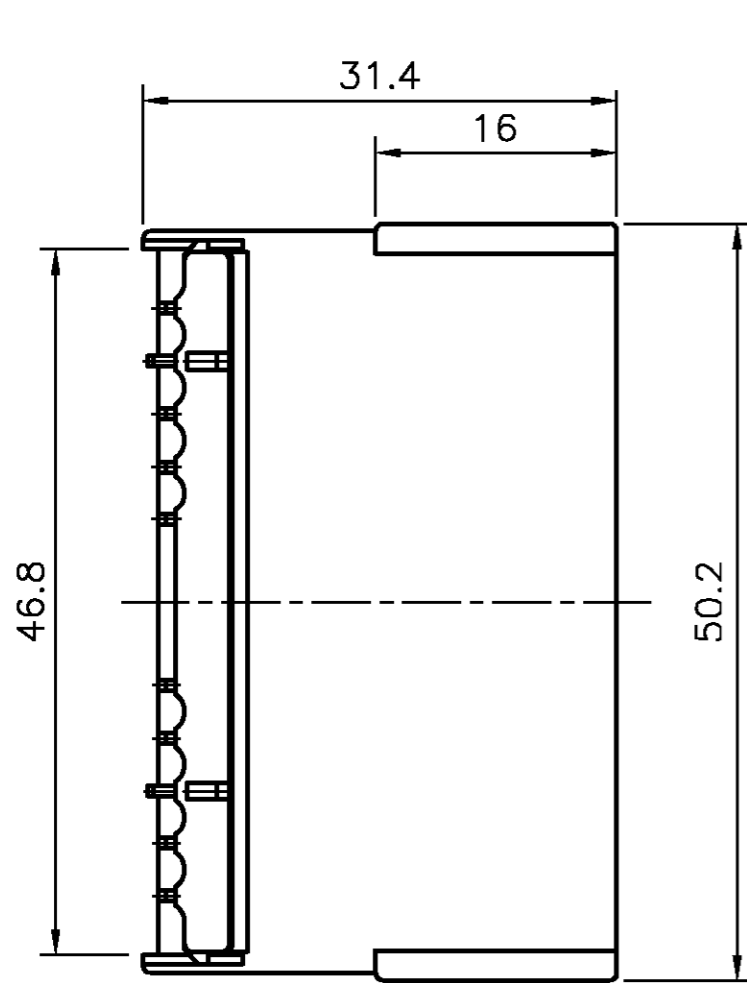
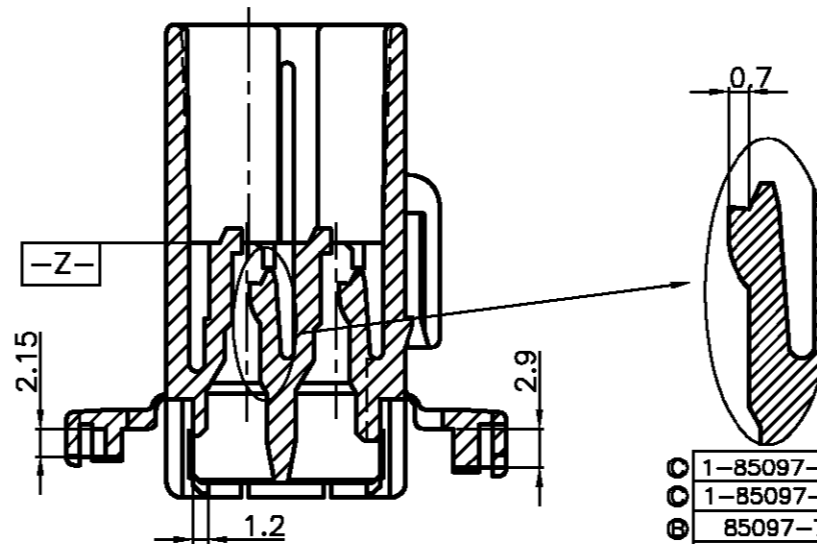
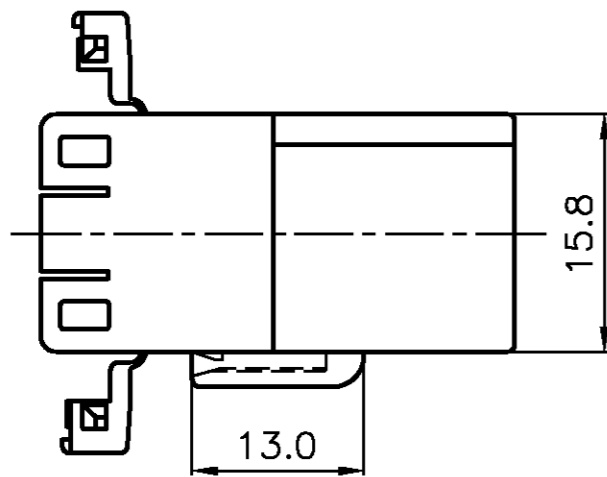


LOC	DIST	REVISIONS					
DS		P	LTR	DESCRIPTION	DATE	DWN	APVD
			O	RELEASED(RD96-366)	23/NOV/'96	YJ	JK
			A	REVISED(FC00-0070-01)	23/JUN/'01	MS	CS
			B	REVISED(FC00-0028-03)	21/MAR/'03	MS	CS
			C	REVISED(ECR-05-006109)	22/AUG/'05	IS	JK



CLIP HOLE DETAIL



SECT A-A

NOTE

- △ TO BE MEASURED BETWEEN  $-Z-$  AND 2.
- TO BE MATED WITH PLUG HSG SMOOTHLY.
- APPLIED CONTACT P/N : 173633 & 173645.
- APPLIED PLUG HSG P/N : 85096
- CURRENT RATING: 10A MAX

P/N	MATERIAL	COLOR	PACKING
1-85097-7	P.B.T	YELLOW	FOR EXPORT-TRAY(50EA)/OUT BOX(400EA)
1-85097-1	P.B.T	WHITE	FOR EXPORT-TRAY(50EA)/OUT BOX(400EA)
85097-7	P.B.T	YELLOW	FOR LOCAL-POLY BAG(50EA)/INNER BOX(50EA)/OUT BOX(200EA)
85097-1	P.B.T	WHITE	FOR LOCAL-POLY BAG(50EA)/INNER BOX(50EA)/OUT BOX(200EA)

THIS DRAWING IS A CONTROLLED DOCUMENT FOR TYCO ELECTRONICS CORPORATION. IT IS SUBJECT TO CHANGE AND THE CONTROLLING ENGINEERING ORGANIZATION SHOULD BE CONTACTED FOR THE LATEST REVISION.

DWN IS SHIN				AMP KOREA.	
CHIK BM JANG				kyungsan, korea	
APVD: JK SONG		NAME		.070 MLC 22P CAP HSG.	
PRODUCT SPEC		SIZE		CAGE CODE	
APPLICATION SPEC		DRAWING NO		RESTRICTED TO	
MATERIAL		WEIGHT		A3 00779C= 8 5 0 9 7	
FINISH		SCALE 2/1		SHEET 1 OF 1	
SEE TABLE		REV C			